



APPLICATIONS

- Food & beverage processing
- Pasteurization systems
- Pharmaceutical
- Medical

10 SERIES

- 1-1/2" and 2" clamp, fillable dry or liquid-filled gauge
- Ranges from -30 inHg to 0 psig through 0 psig to 600 psig
- 2-1/2" and 4" gauge sizes
- Electropolished stainless steel case
- 316 stainless steel wetted parts
- Meets current standards for 3A and ASME BPE-2009
- C.I.P, S.I.P and Autoclave (only dry gauges are recommended for Autoclave)

SPECIFICATIONS

| | |
|---------------------------|--|
| Pressure ranges | -30 inHg to 0 psig through 0 to 600 psig |
| Accuracy | 2-1/2" gauge $\pm 1.6\%$ full scale 4" gauge $\pm 1.0\%$ full scale |
| Temperature ranges | Media -40 °F to 300 °F (-40 °C to 150 °C) Ambient 25 °F to 140 °F (-4 °C to 60 °C) Storage 25 °F to 140 °F (-4 °C to 60 °C) |
| Measuring element | 316 stainless steel "C" tube |
| Connection | 1-1/2" or 2" ASME-BPE Sanitary Clamp, 316L stainless steel Diaphragm 316L stainless steel, electropolished to 32 μ m Ra or better |
| Case | Electropolished 304 stainless steel |
| Bayonet ring | Electropolished 304 stainless steel |
| Lens | Safety glass |
| Pointer | Balanced aluminum, black finish |
| Dial | Aluminum, white background, black print |
| Movement | Stainless steel |
| Fill liquid | Glycerine, USP Grade |

***Note:** Autoclave requires the addition of optional laminated safety glass lens

Diaphragm seal must be installed facing downward or in a vertical position for drainability.
Do not install diaphragm seal facing in an upward position.

| ORDERING INFORMATION | | | | |
|----------------------|--------------------------------------|---|------------------------|-----------------------|
| SERIES | 100 10 Series heavy-duty | | | |
| CLAMP SIZES | 12 1-1/2" | 16 2" | | |
| FILL LIQUID | 1 Glycerine | Other food grade quality fill fluids available – please consult factory | | |
| GAUGE SIZES | 25 2-1/2" | 40 4" | | |
| PRESSURE RANGES | 01 -30 inHg to 0 psig* | 16 -30 inHg to 160 psig | 46 0 psig to 60 psig | 64 0 psig to 400 psig |
| | 04 -30 inHg to 15 psig | 19 -30 inHg to 200 psig | 49 0 psig to 100 psig | 70 0 psig to 600 psig |
| | 07 -30 inHg to 30 psig | 22 -30 inHg to 300 psig | 55 0 psig to 160 psig | |
| | 10 -30 inHg to 60 psig | 40 0 psig to 15 psig* | 58 0 psig to 200 psig | |
| | 13 -30 inHg to 100 psig | 43 0 psig to 30 psig | 61 0 psig to 300 psig | |
| GAUGE FILLS | 0 None | 1 Glycerine | 2 Silicone | 3 Mineral oil |
| | (All food grade quality fill fluids) | | | |
| GAUGE OPTIONS | 0 None | 1 Max. Indicating Pointer | 2 Adjustable Pointer** | |

Please consult your local NOSHOK Distributor or NOSHOK, Inc. for availability and delivery information.

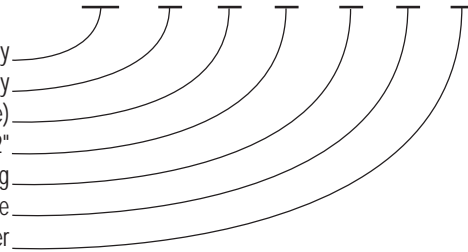
* Not available on 4" gauge and 1-1/2" ASME-BPE Sanitary Clamp

** Not available on 2-1/2" gauge

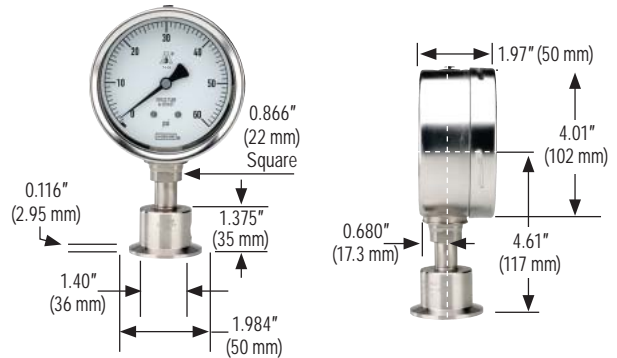
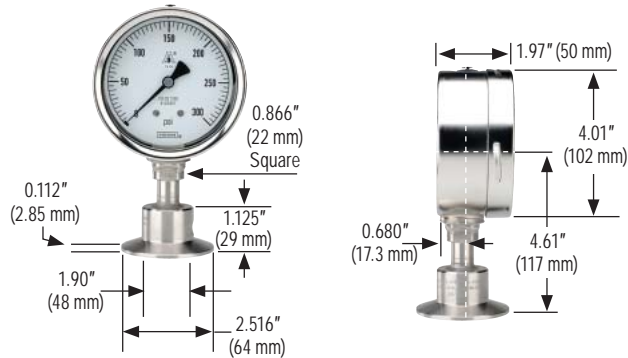
EXAMPLE

- Series 10 Series heavy-duty
- Clamp size 1-1/2" ASME-BPE Sanitary
- Fill liquid Glycerine (USP food grade)
- Gauge size 2-1/2"
- Pressure range 0 psig to 160 psig
- Gauge fill Glycerine
- Option Maximum Indicating Pointer

100 - 12 - 1 - 25 - 55 - 1 - 1



4" Gauge with 2" ASME-BPE Sanitary Clamp Connection 4" Gauge with 1-1/2" ASME-BPE Sanitary Clamp Connection



2-1/2" Gauge with 2" ASME-BPE Sanitary Clamp Connection 2-1/2" Gauge with 1-1/2" ASME-BPE Sanitary Clamp Connection

